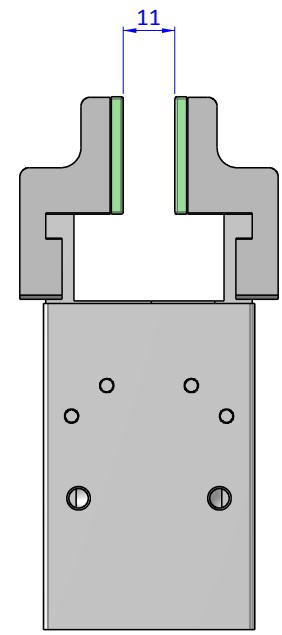
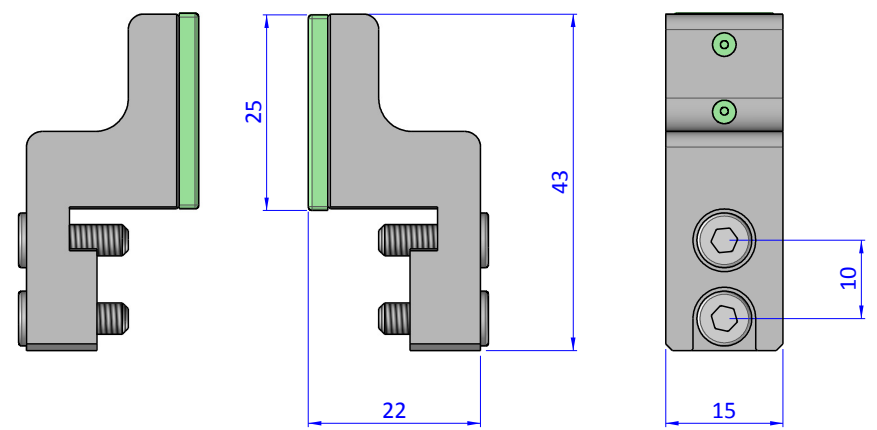
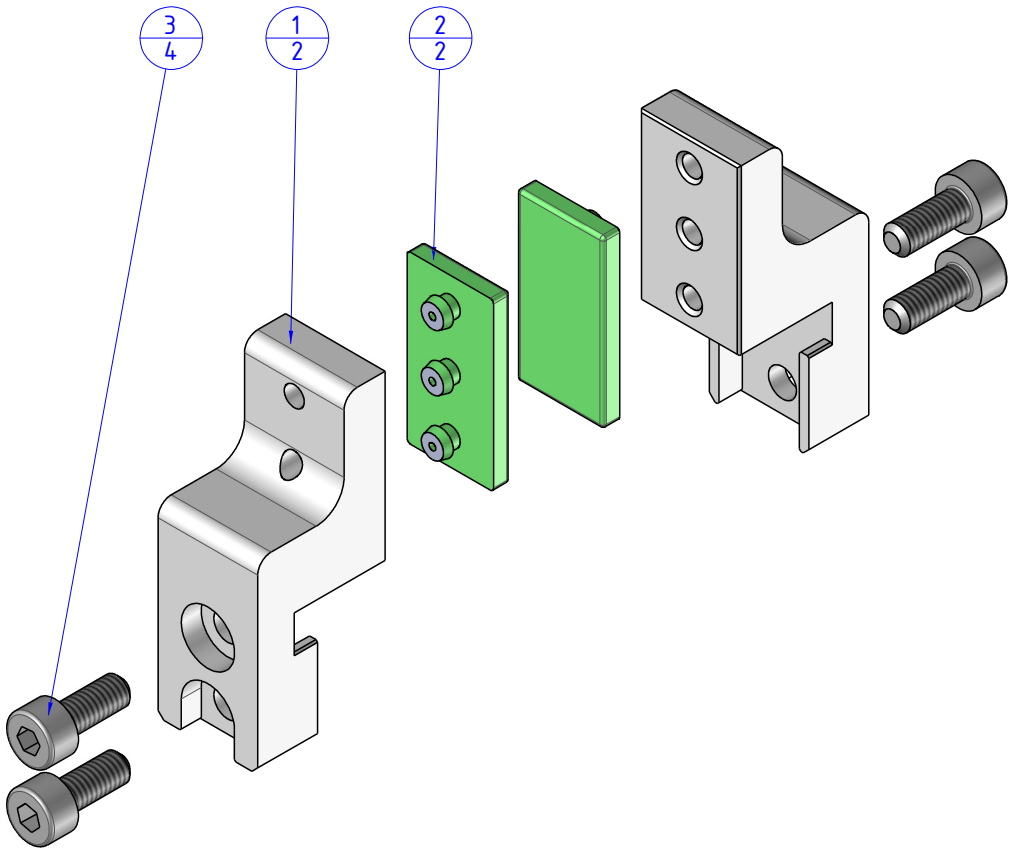


Item	Name	Q.ty
1	KB.20.CGP	2
2	PAC.20.16P.03.V1	2
3	V.TCE4x10	4



THE PROPERTY OF THE DRAWING IS ESTABLISHED BY LAW. IT IS FORBIDDEN TO PRODUCE OR SHOW IT TO THIRD PARTY, WITHOUT A WRITTEN AGREEMENT.

Format A3
UNI 936-76

		DESIGNED FROM	REVIEW
		FP SERVICES	A / 11
		DATE	WEIGHT
		26/09/2018	0,039kg
GENERAL TOLERANCE	DESCRIPTION	CODE	
UNI - ISO 2768	CA.KB.20.CGP	CA.KB.20.CGP	
CLASSE f			